

FBV-12F-PN16/PN40二片式德標防火法蘭球閥

產品特徵：

SPECIFICATIONS

- *公稱壓力：1/2" ~10" PN16/40
Working Pressure: 1/2" ~10" PN16/40
- *適用溫度範圍：-20 ~ 260°C
Temperature Range: -20 ~ 260°C
- *防爆中軸 Blow-Out-Proof Stem Design
- *防靜電裝置 Antistatic Device
- *防火設計 FIRE SAFE DESIGN
- *精密鑄造 固溶化處理
Investment Casting Solution Treatment
- *ISO5211安裝執行器平臺設計
ISO5211 Direct-Mounting of Actuators of Valves Design
- *結構長度：DIN 3202 F1/F4
Face to Face : DIN3202 F1/F4
- *法蘭尺寸：DIN2633/2635
Flange End: DIN2633/2635
- *全流量 Full port
- *操作方式：手柄/執行器
Operator: Lever/Actuator

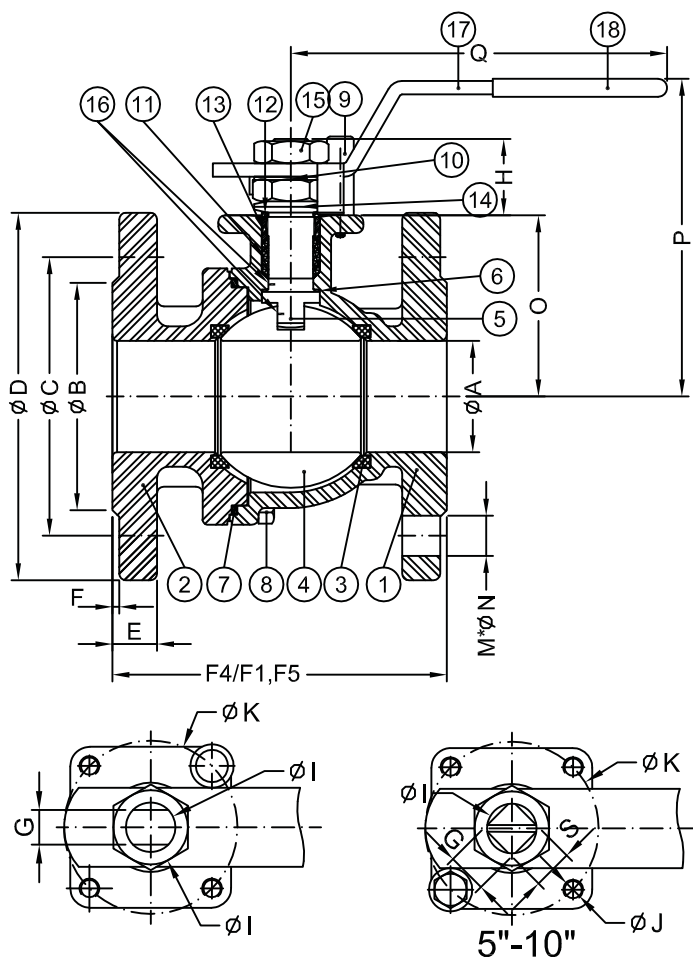
注：更高溫度，需要金屬硬密封閥座，請另行諮詢。

驅動方式：可裝配氣動執行器和電動執行器



型號：FBV-12F-PN16/PN40

MATERIALS LIST



ITEM	PART NAME	MATERIAL	
		1.4408	1.0619
1	BODY	1.4408	1.0619
2	END CAP	1.4408	1.0619
3	SEATS	PTFE	PTFE
4	BALL	1.4408	1.4308
5	STEM	1.4401	1.4301
6	GASKET	PTFE&50%SUS	
7	JOINT GASKET	PTFE	PTFE
8	BOLTS	1.4301	1.4301
9	STOPPER	1.4301	1.4301
10	LOCK WASHER	1.4301	1.4301
11	SEAL	PTFE	PTFE
12	GLAND BUSH	PTFE	PTFE
13	PACKING GLAND	1.4301	1.4301
14	BELLEVILLE	1.4301	1.4301
15	LEVER NUT	1.4301	1.4301
16	GROUNDING DEVICE	1.4401	1.4401
17	HANDLE	1.4301	1.4301
18	PLASTIC COVER	PVC	PVC

FLANGE DIMENSIONS

Unit:mm

DN	A	G	H	I	S	J	K	F1	F4	F5	DIN ISO 5211
15	15	9	24	16		M6	50	130	115		F05
20	20	9	24	16		M6	50	150	120		F05
25	25	10	25	16		M6	50	160	125		F05
32	32	10	25	16		M6	50	180	130		F05
40	38	14	33	20		M8	70	200	140		F07
50	50	14	33	20		M8	70	230	150		F07
65	65	14	33	20		M8	70	290	170		F07
80	80	18	41	24		M10	102	310	180		F10
100	100	18	41	24		M10	102	350	190		F10
125	125	22	41	28	22	M10	102			325	F10
150	150	27	41	35	27	M12	125			350	F12
200	200	27	50	35	27	M12	125			400	F12
250	250	36	65	48	36	M16	140			450	F14

BODY DIMENSIONS

Unit:mm

PN 25-40	DN	B	C	D	E	F	M	N	O	P	Q
	15	45	65	95	16	2	4	14	42.2	87	195
	20	58	75	105	18	2	4	14	42.2	87	195
	25	68	85	115	18	2	4	14	51	90	195
	32	78	100	140	18	2	4	18	55.5	95	195
	40	88	110	150	18	3	4	18	71.2	130	240
	50	102	125	165	20	3	4	18	80	140	240
	65	122	145	185	22	3	8	18	95	160	240
	80	138	160	200	24	3	8	18	112	190	310
	100	162	190	235	24	3	8	22	134	210	310
	125	184	220	270	26	3	8	26	169	232	320
	150	218	250	300	28	3	8	26	208	285	415
	200	285	320	375	34	3	12	30	238	315	415
250	345	385	450	38	3	12	33	270	350	800	

PN 10-16	DN	B	C	D	E	F	M	N	O	P	Q
	65	122	145	185	18	3	4	18	95	160	240
	80	138	160	200	20	3	8	18	112	190	310
	100	158	180	220	20	3	8	18	134	210	310
	125	188	210	250	22	3	8	18	169	232	320
	150	212	240	285	22	3	8	22	208	285	415
	200	268	295	340	24	3	12	22	238	315	415
250	320	355	405	26	3	12	26	270	350	800	