

BVS-3DTC三通高平臺潔淨球閥

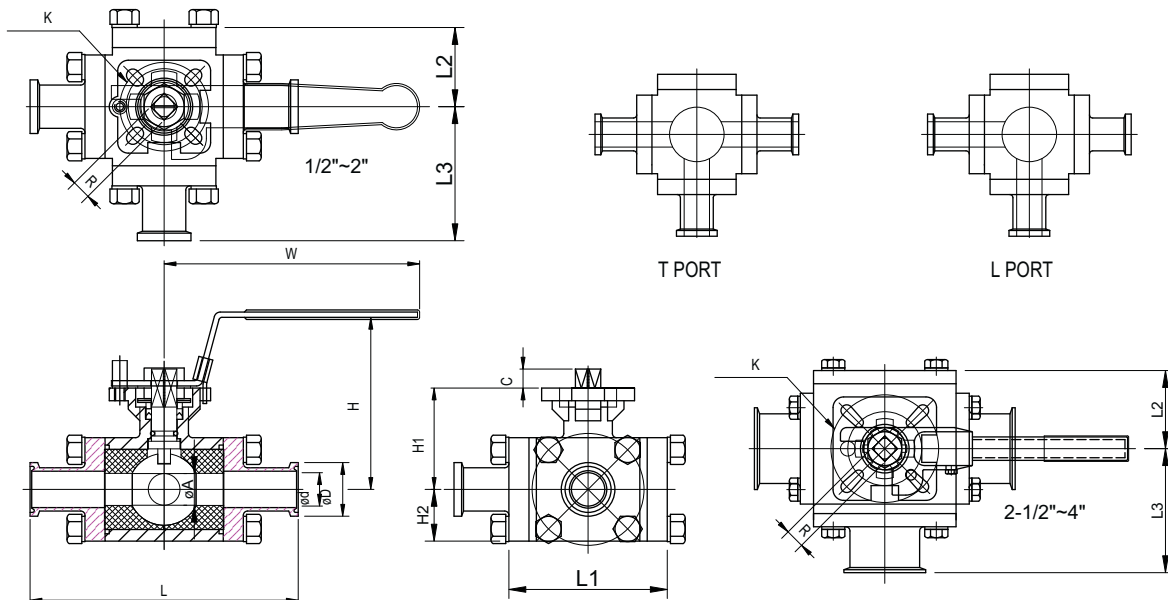
產品特徵：

SPECIFICATIONS

- *公稱壓力：1/2" ~2" 56kgf/cm²
2-1/2" ~4" 42kgf/cm²
- Working Pressure: 1/2" ~2" 8000PSI WOG
2-1/2" ~4" 600PSI WOG
- *適用溫度範圍：-20 ~ 180°C
Temperature Range: -20 ~ 180°C
- *連接形式：卡箍(3A)
End Types: T-Clamp End(3A)
- *掛鎖裝置 (可選)
Locking Device (option)



型號：BVS-3DTC

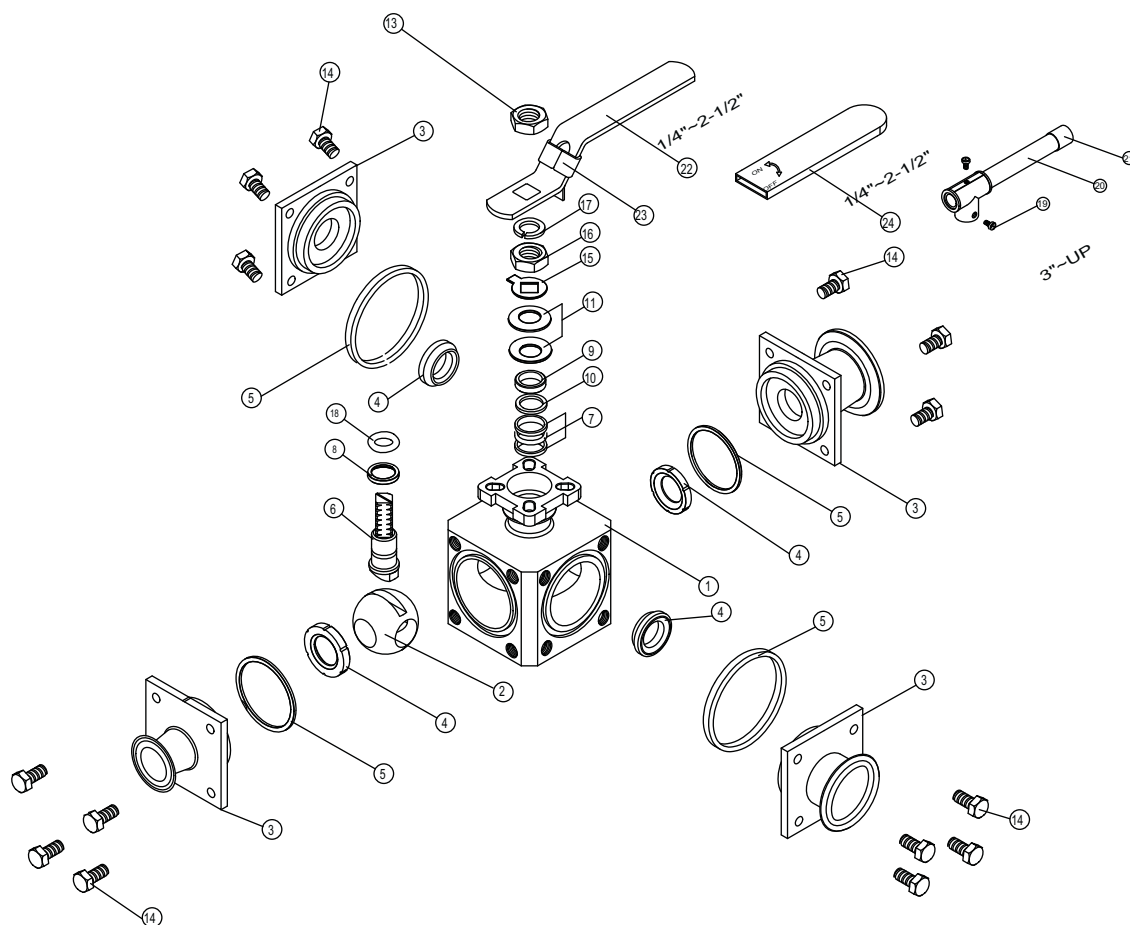


DIMENSION(M.M.)

Unit : mm

SIZE	DN	K	øA	W	H	H1	C	L	ød	øD	L1	L2	L3	H2	R
1/2"	15	F03 / F04	9.5	121	78	44.5	9	118	9.5	25.4	70	35.0	59.0	23.5	9 M12*1.75
3/4"	20	F03 / F04	15.0	121	82	48	9	127	15.8	25.4	77	38.5	63.5	26	9 M12*1.75
1"	25	F04 / F05	20.0	137	90	59	11	152.4	22.2	50.4	86	43.0	76.2	30.5	11 M14*P2
1-1/2"	40	F05 / F07	32.0	182	110	72	14	175	35.0	50.4	111	55.5	87.5	40	14 M18*P2.5
2"	50	F05 / F07	40.0	182	114.7	82	14	190	47.6	63.9	124	62.0	95.0	50	14 M18*P2.5
2-1/2"	65	F07 / F10	50.0	370	108	100	17	228	60.2	77.5	125	62.5	107.0	61	17 M22*P2.5
3"	80	F10 / F12	65.3	400	134	125.5	23	260	73.0	90.9	151	75.5	122.0	74	22 1-1/8"*12UNF
4"	100	F10 / F12	80.0	400	156	135.5	23	318	97.4	118.9	190	80.5	144.5	62.5	22 1-1/8"*12UNF

BVS-3DTC三通高平臺潔淨球閥



MATERIALS LIST

NO	PART NAME	MATERIAL
1	BODY	CF8M
2	BALL	CF8M
3	END CAP	CF8M
4	SEAT	PTFE / TFM1600
5	BODY SEAL	PTFE / TFM1600
6	STEM	SS316
7	STEM PACKING	PTFE / TFM1600
8	THRUST WASHER	PTFE / TFM1600
9	GLAND BUSH	SS304
10	GLAND WASHER	PTFE / TFM1600
11	BELLEVILLE WASHER	SS301
12	LOCKING PAD	SS304
13	HANDLE NUT	SS304
14	BOLT	SS304
15	TAB WASHER	SS304
16	STEM NUT	SS304
17	STEM WASHER	SS304
18	O-RING	VITON
19	BOLT	SS304
20	PIPE HANDLE	STAINLESS STEEL
21	PIPE HANDLE COVER	PLASTIC
22	HANDLE	SS304
23	LOCKING PAD	SS304
24	HANDLE COVER	PLASTIC