

## BVS-131DTC三片式高平臺卡箍型潔淨球閥

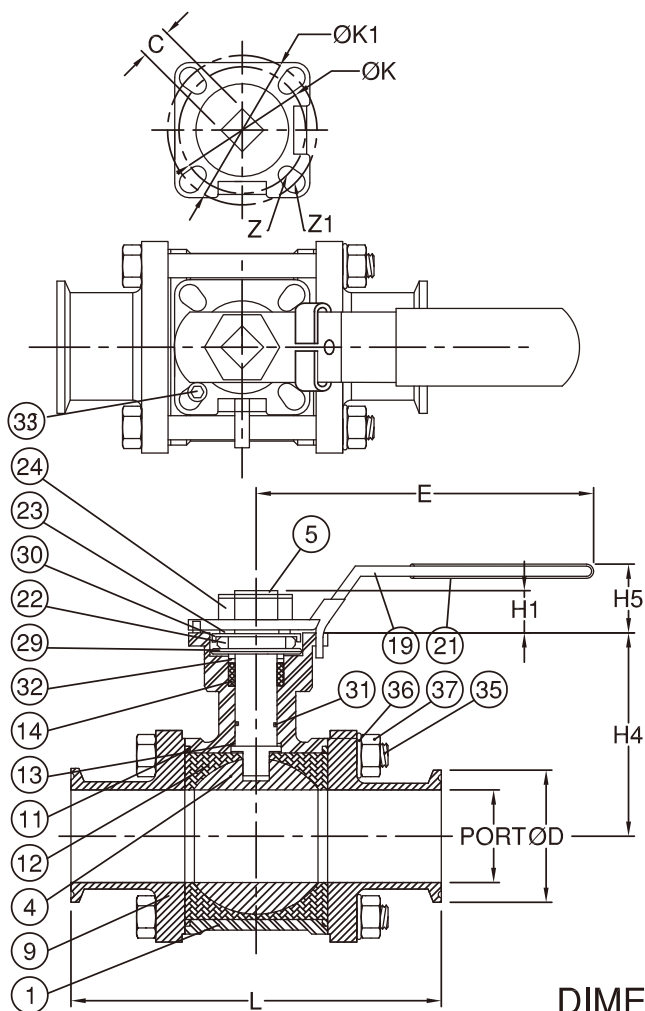
產品特徵：

SPECIFICATIONS

- \*公稱壓力：1/2" ~2" 60kgf/cm<sup>2</sup>  
2-1/2" ~4" 56kgf/cm<sup>2</sup>
- Working Pressure: 1/2" ~2" 1000PSI WOG  
2-1/2" ~4" 800PSI WOG
- \*適用溫度範圍：-20 ~ 180°C  
Temperature Range: -20 ~ 180°C
- \*連接形式：卡箍(3A)  
End Types: T-Clamp End(3A)
- \*掛鎖裝置(可選)  
Locking Device (option)



型號：BVS-131DTC



### MATERIALS LIST

NO.	PART NAME	MATERIAL
1	BODY	ASTM A351 Gr.CF8M
4	BALL	ASTM A351 Gr.CF8M
5	STEM	SS316
9	END CAP	ASTM A351 Gr.CF8M
11	BODY SEAL	PTFE.
12	SEAT	PTFE.
13	THRUST WASHER	PTFE.
14	STEM PACKING	PTFE.
16	GLAND NUT	SS304
19	HANDLE	SS304
21	HANDLE COVER	PLASTIC
22	STEM NUT	SS304
23	STEM WASHER	SS304
24	HANDLE NUT	SS304
29	BELLEVILLE WASHER	SS304
30	LOCK WASHER	SS304
31	O-RING	VITON
32	RING	SS304
33	STOP PIN	SS304
35	BODY BOLT	SS304
36	BOLT WASHER	SS304
37	BOLT NUT	SS304

### DIMENSIONS

Unit:mm

SIZE	PORT	L	E	H1	H4	H5	C	ΦD	K	K1	Z	Z1	
DN15	1/2"	9.5	89.0	143.0	9.0	37.0	26.0	9.0	25.4	36.0	42	6	6
DN20	3/4"	15.9	101.0	143.0	9.0	47.0	26.0	9.0	25.4	36.0	42	6	6
DN25	1"	22.2	114.0	160.0	11.0	57.2	34.0	11.0	50.4	42.0	50	6	8
DN40	1-1/2"	35.0	140.0	187.0	14.0	78.2	43.0	14.0	50.4	50.0	70	8	10
DN50	2"	47.6	156.0	187.0	14.0	86.2	43.0	14.0	63.8	50.0	70	8	10
DN65	2-1/2"	60.2	197.0	310.0	17.0	109.2	53.0	17.0	77.6	70.0	102	10	12
DN80	3"	73.0	229.0	310.0	17.0	116.2	53.0	17.0	91.0	70.0	102	10	12
DN100	4"	97.4	241.0	400.0	22.0	133.5	56.0	22.0	119.0	102.0	125	12	14

## BVS-131DEB三片式高平臺焊接型潔淨球閥

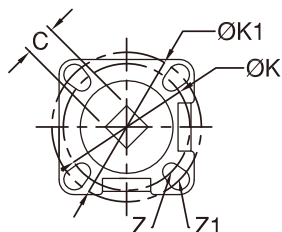
### 產品特徵：

#### SPECIFICATIONS

- \*公稱壓力：1/2" ~2" 60kgf/cm<sup>2</sup>  
2-1/2" ~4" 56kgf/cm<sup>2</sup>
- Working Pressure: 1/2" ~2" 1000PSI WOG  
2-1/2" ~4" 800PSI WOG
- \*適用溫度範圍：-20 ~ 180°C  
Temperature Range: -20 ~ 180°C
- \*連接形式：焊接(3A)  
End Types: Tube End(3A)
- \*掛鎖裝置 (可選)  
Locking Device (option)
- \*全流量 Full port

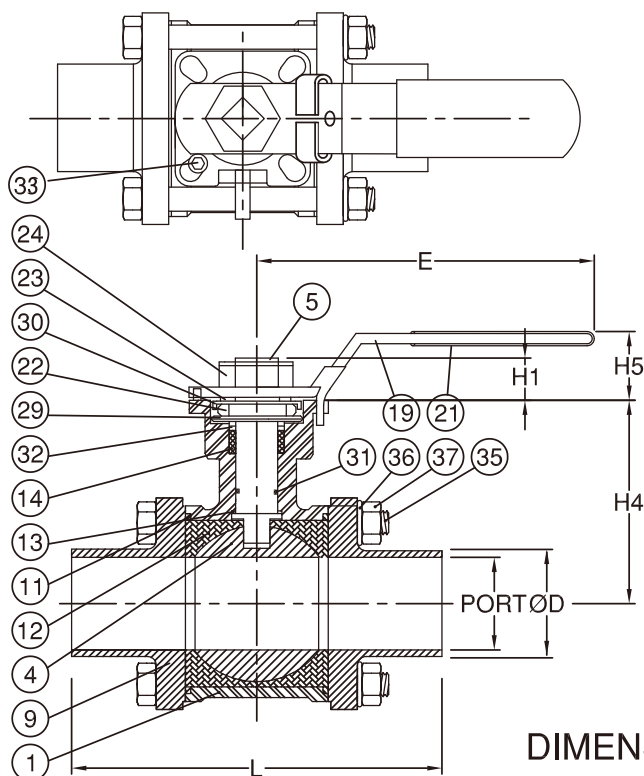


型號：BVS-131DEB



### MATERIALS LIST

NO.	PART NAME	MATERIAL
1	BODY	ASTM A351 Gr.CF8M
4	BALL	ASTM A351 Gr.CF8M
5	STEM	SS316
9	END CAP	ASTM A351 Gr.CF8M
11	BODY SEAL	PTFE.
12	SEAT	PTFE.
13	THRUST WASHER	PTFE.
14	STEM PACKING	PTFE.
16	GLAND NUT	SS304
19	HANDLE	SS304
21	HANDLE COVER	PLASTIC
22	STEM NUT	SS304
23	STEM WASHER	SS304
24	HANDLE NUT	SS304
29	BELLEVILLE WASHER	SS304
30	LOCK WASHER	SS304
31	O-RING	VITON
32	RING	SS304
33	STOP PIN	SS304
35	BODY BOLT	SS304
36	BOLT WASHER	SS304
37	BOLT NUT	SS304



### DIMENSIONS

unit:mm

SIZE	PORT	L	E	H1	H4	H5	C	ØD	K	K1	Z	Z1
DN15	1/2"	9.5	89.0	143.0	9.0	37.0	9.0	12.7	36.0	42	6	6
DN20	3/4"	15.9	101.0	143.0	9.0	47.0	9.0	19.1	36.0	42	6	6
DN25	1"	22.2	114.0	160.0	11.0	57.2	11.0	25.4	42.0	50	6	8
DN40	1-1/2"	35.0	140.0	187.0	14.0	78.2	14.0	38.1	50.0	70	8	10
DN50	2"	47.6	156.0	187.0	14.0	86.2	14.0	50.4	50.0	70	8	10
DN65	2-1/2"	60.2	197.0	310.0	17.0	109.2	17.0	63.4	70.0	102	10	12
DN80	3"	73.0	229.0	310.0	17.0	116.2	17.0	76.2	70.0	102	10	12
DN100	4"	97.4	241.0	400.0	22.0	133.5	22.0	101.6	102.0	125	12	14