

BVR-122T二片式縮徑不銹鋼螺紋球閥

產品特徵：

SPECIFICATIONS

*公稱壓力：1/4" ~1/2" PN160
3/4" ~2" PN100

Working Pressure: 1/4" ~1/2" PN160
3/4" ~2" PN100

*適用溫度範圍：-20 ~ 180°C

Temperature Range: -20 ~ 180°C

*防爆中軸 Blow-Out-Proof Stem Design

*精密鑄造 Investment Casting

*固溶化處理 Solution Treatment

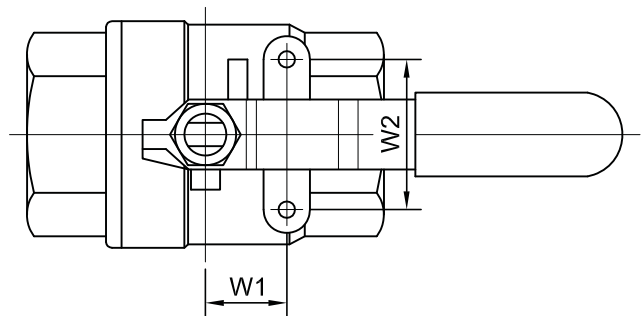
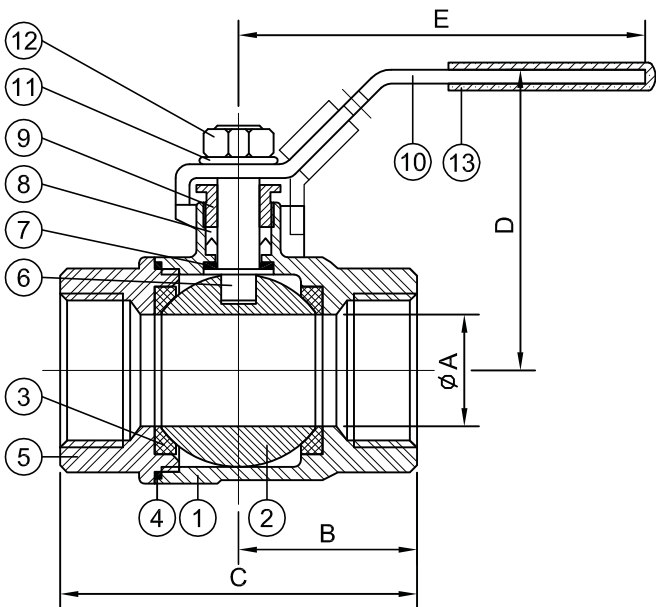
*連接形式：內螺紋

End Types: Female Threaded

*減流量 Reduced Bore



型號：BVR-122T



MATERIALS LIST

DIMENSIONS

unit: mm

SIZE	A	B	C	D	E	W1	W2
1/4"	9.7	27.5	51	50	100	12.7	28.5
3/8"	11.6	27.5	51	50	100	12.7	28.5
1/2"	12.7	32	51	50	100	12.7	28.5
3/4"	15.0	37.5	68	53	100	22.4	36
1"	20.0	43.5	83	64	100	22.4	36
1-1/4"	25.4	51.0	90	66	158	22.4	35
1-1/2"	32.0	55.0	104	79	158	25.4	38.1
2"	38.1	63.0	117	83	183	25.4	38.1

ITEM	零件名稱PART NAME	材質MATERIAL
1	BODY	CF8M
2	BALL	CF8M
3	SEAT	PTFE
4	JOINT GASKET	PTFE
5	END CAP	SUS316
6	STEM	SUS316
7	GASKET	PTFE
8	STEM PACKING	PTFE
9	PACKING GLAND	SUS304
10	HANDLE	SUS304
11	SPRING WASHER	SUS304
12	LEVER NUT	SUS304
13	PLASTIC COVER	PVC